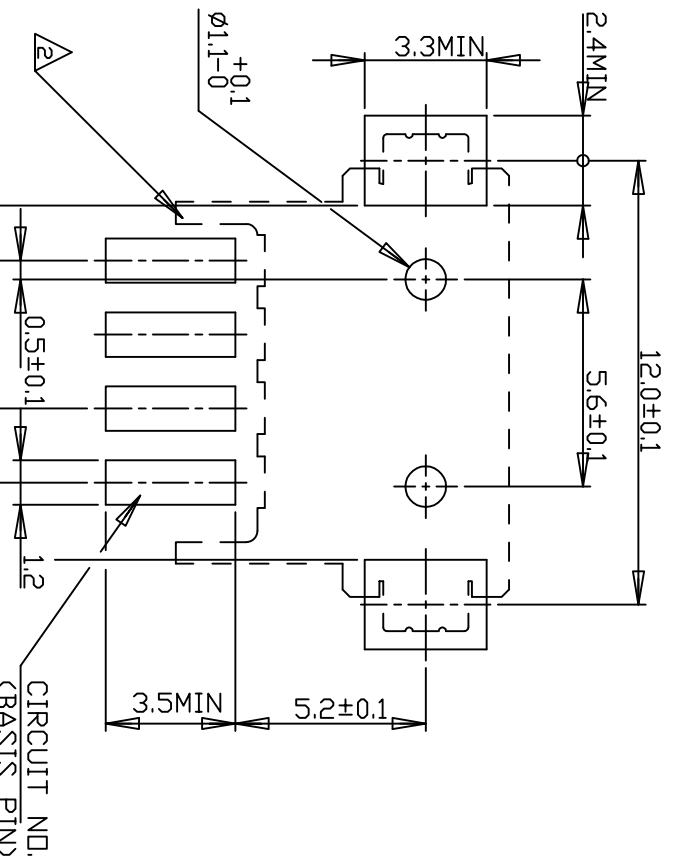
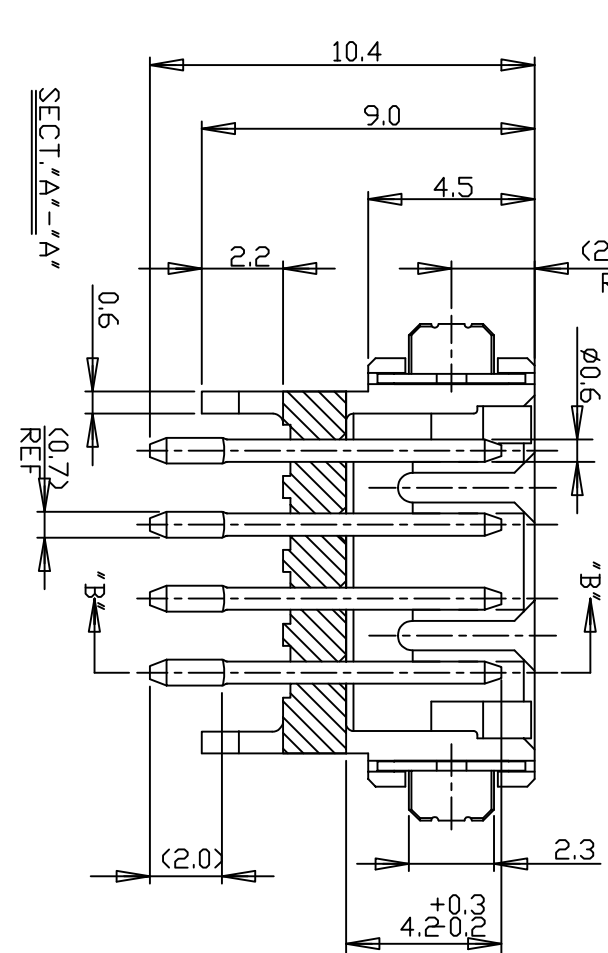
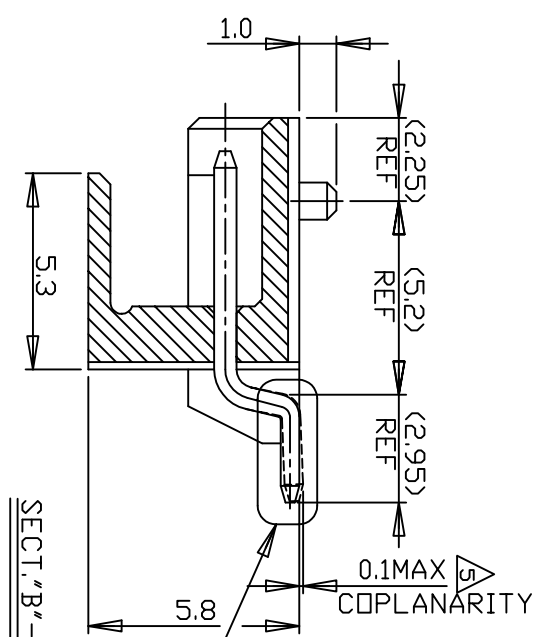
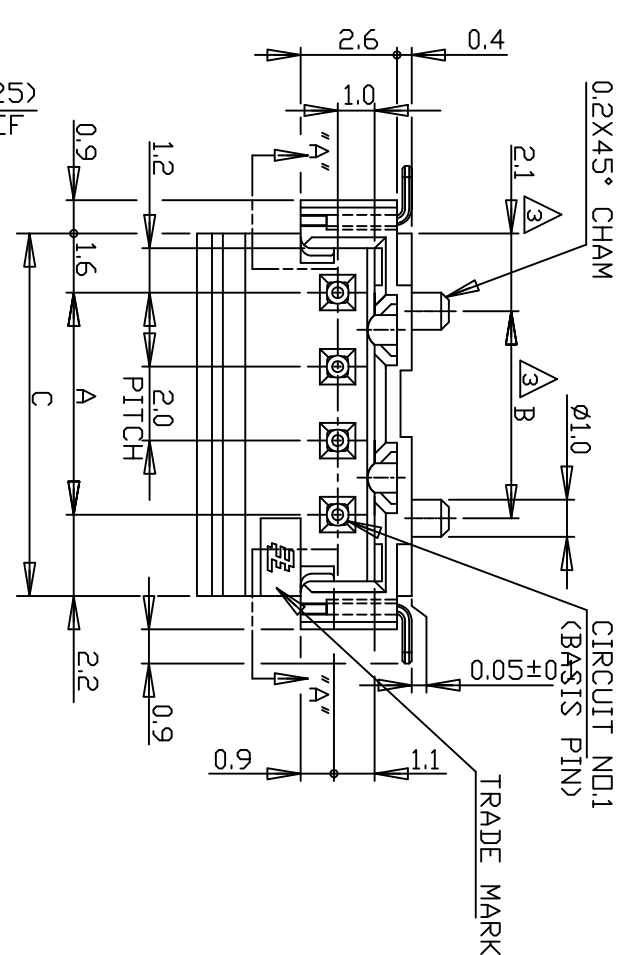






|       |      |          |     |             |     |      |
|-------|------|----------|-----|-------------|-----|------|
| Loc   | DIST | REVISONS |     | DATE        | DWN | APVD |
| ES 00 | 00   | P        | LTR | DESCRIPTION |     |      |
|       |      | -        | -   | SEE SHEET 1 | -   | -    |



|      |      |      |      |      |            |          |
|------|------|------|------|------|------------|----------|
| 16.0 | 15.6 | 19.8 | 22.0 | 9    | 1-292173-9 | 292173-9 |
| 14.0 | 13.6 | 17.8 | 20.0 | 8    | 1-8        | -8       |
| 12.0 | 11.6 | 15.8 | 18.0 | 7    | 1-7        | -7       |
| 10.0 | 9.6  | 13.8 | 16.0 | 6    | 1-6        | -6       |
| 8.0  | 7.6  | 11.8 | 14.0 | 5    | 1-5        | -5       |
| 6.0  | 5.6  | 9.8  | -    | 4    | 1-4        | -4       |
| 4.0  | -    | 7.8  | -    | 3    | 1-3        | -3       |
| 2.0  | -    | 5.8  | -    | 2    | 1-292173-2 | 292173-2 |
| A    | B    | C    | D    | POS. | NATURAL    | BLACK    |

NOTES:

- MATERIAL:HSG-6T PKG.F.30%XUL94V-0)  
COLOR:BLACK,NATURAL  
POST: TIN BRASS  
TAIL: TIN BRASS  
OCCUPANT AREA DN PC BOARD  
4P&ABOVE POS.  
2P&3P  
TO BE MEASURED WITH CONNECTOR PLACED  
DN HORIZONTAL DATUM SURFACE,FLDAT OF  
SOLDER TINE AND TAIL FRDM DATUM  
SURFACE IS 0.1mm MAX



TE Connectivity

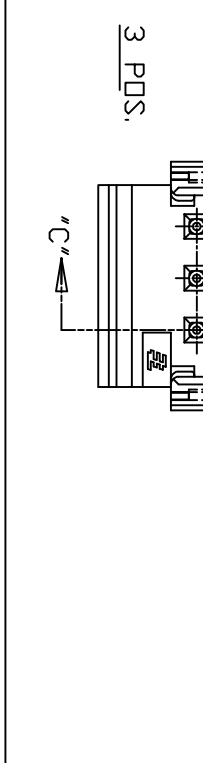
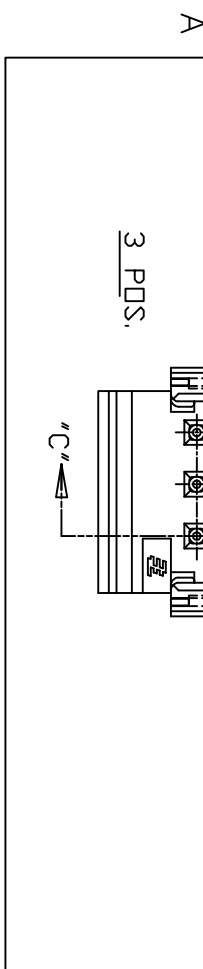
SMT TYPE POST HDR ASS'Y (H)  
WITH BOSS & TAIL TYPE  
(TE CT CONN. 2mm PITCH)

|                   |     |   |   |
|-------------------|-----|---|---|
| DIMENSIONS:<br>MM |     | TOLERANCES UNLESS<br>OTHERWISE SPECIFIED: |   |
| 0                 | PLC | ±   | - |
| 1                 | PLC | ±   | - |
| 2                 | PLC | ±   | - |
| 3                 | PLC | ±   | - |
| 4                 | PLC | ±   | - |
| FINISH            |     | ±   | - |
| MATERIAL          |     | ±   | - |
| SEE NOTE          |     | ±   | - |
| SEE NOTE          |     | ±   | - |

|                  |           |                  |                             |
|------------------|-----------|------------------|-----------------------------|
| DMN              | CHK       | APVD             | NAME                        |
| -                | -         | -                | SMT TYPE POST HDR ASS'Y (H) |
| PRODUCT SPEC     | 108-60016 | APPLICATION SPEC | (TE CT CONN. 2mm PITCH)     |
| WEIGHT           | -         | SCALE            | 5:1                         |
| CUSTOMER DRAWING | A3 00779  | DRAWING NO       | G-292173                    |
| RESTRICTED TO    | SCALE     | SHEET            | 3 OF 6                      |
| REV              | C3        |                  |                             |

TOLERANCES UNLESS  
OTHERWISE SPECIFIED:

10>\* ±0.2  
30>\* ±0.25  
100>\* ±0.3  
ANGEL ±3°

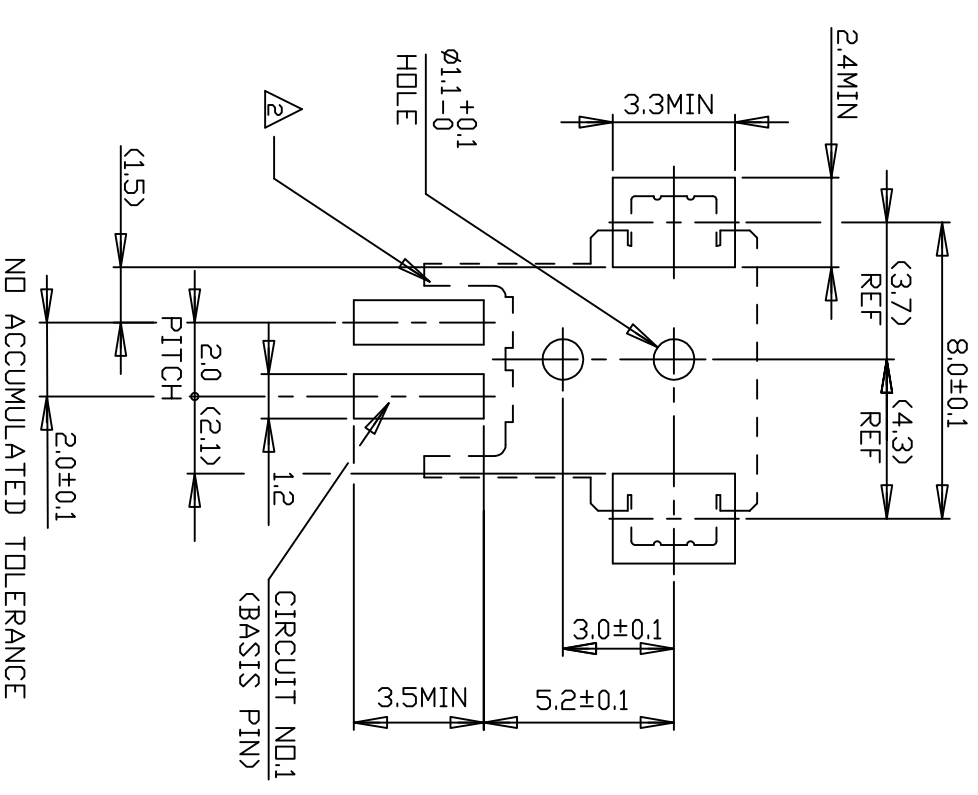
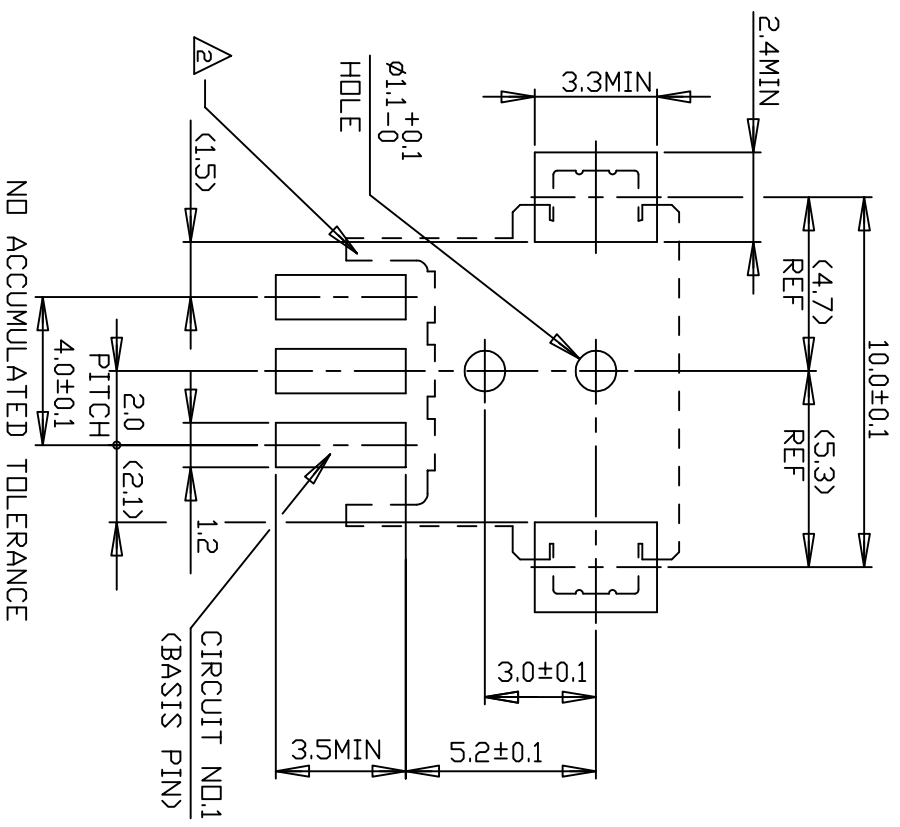
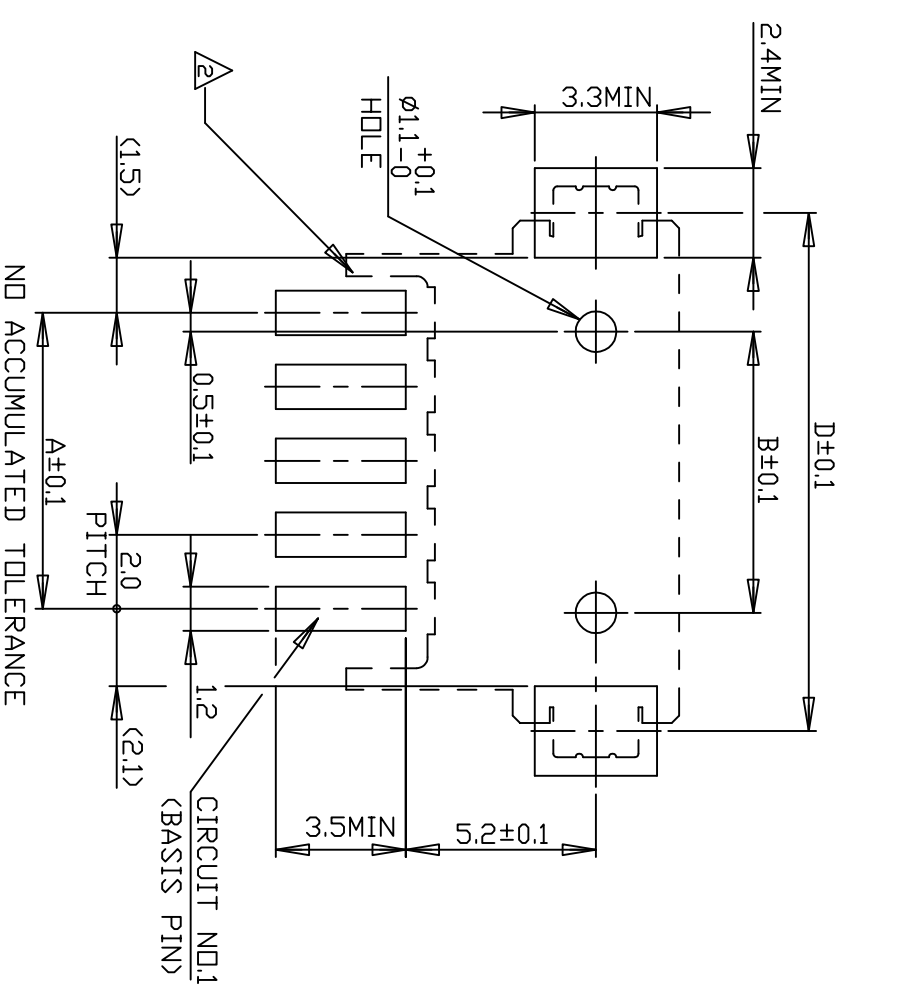


3 POS.  
2 POS.

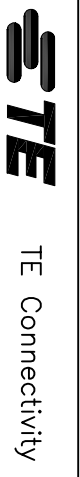
| P | LTR | DESCRIPTION | DATE | DWN | APVD |
|---|-----|-------------|------|-----|------|
| - | -   | SEE SHEET 1 | -    | -   | -    |

| REVISIONS |  | DATE | DWN | APVD |
|-----------|--|------|-----|------|
|           |  |      |     |      |

LAYOUT FOR 292173-X,1-292173-X



RECOMMENDED P.C. BOARD LAYOUT  
 (P.C.B THK:0.8mm MIN)



TE Connectivity

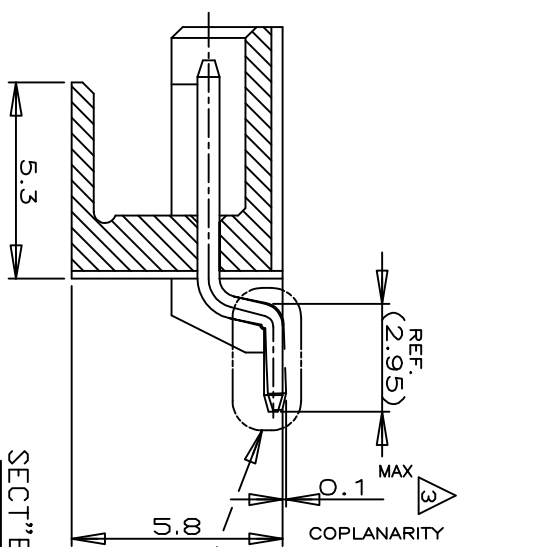
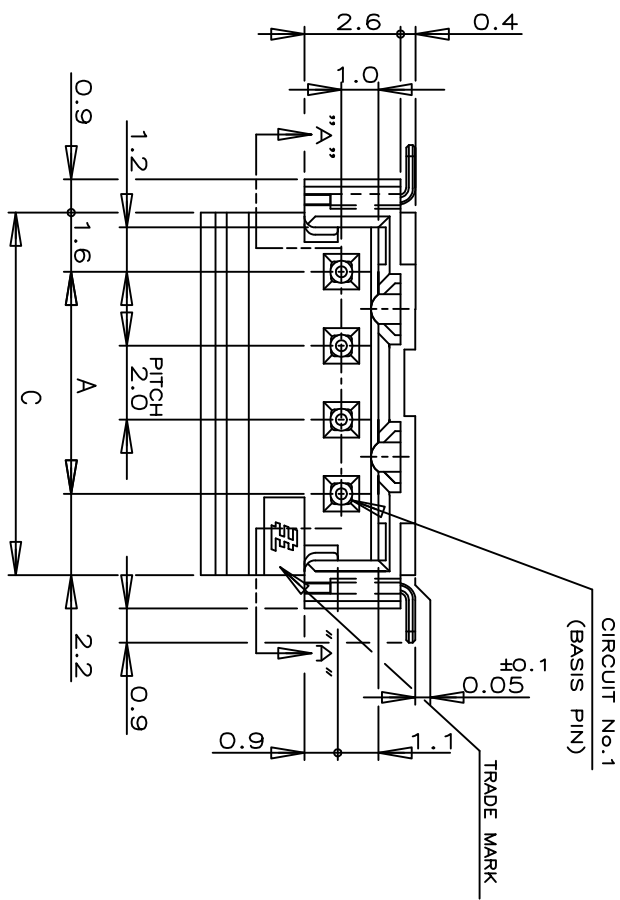
SMT TYPE POST HDR ASS'Y (H)  
 WITH BOSS & TAIL TYPE  
 (TE CT CONN. 2mm PITCH)

|   |    |                  |   |                  |   |           |               |
|---|----|------------------|---|------------------|---|-----------|---------------|
| THIS DRAWING IS A CONTROLLED DOCUMENT.    |    | DWN              | - | NAME             | SMT TYPE POST HDR ASS'Y (H)<br>WITH BOSS & TAIL TYPE<br>(TE CT CONN. 2mm PITCH) |           |               |
| DIMENSIONS:<br>MM                         |    | CHK              | - | APVD             | SIZE  | CAGE CODE | DRAWING NO    |
| TOLERANCES UNLESS<br>OTHERWISE SPECIFIED: |    | APVD             | - | PRODUCT SPEC     | A3  | 00779     | 292173        |
| 0 PLC                                     | ±- | PRODUCT SPEC     | - | APPLICATION SPEC | SCALE   | 5:1       | SHEET 4 OF 6  |
| 1 PLC                                     | ±- | APPLICATION SPEC | - | WEIGHT           | REV   | C3        | RESTRICTED TO |
| 2 PLC                                     | ±- | CUSTOMER DRAWING | - |                  |   |           |               |
| 3 PLC                                     | ±- |                  |   |                  |   |           |               |
| 4. P.C.<br>ANGLES                         | ±- |                  |   |                  |   |           |               |
| MATERIAL                                  |    |                  |   |                  |   |           |               |

| REV | DATE | DWN | APVD |
|-----|------|-----|------|
| 1   | -    | -   | -    |

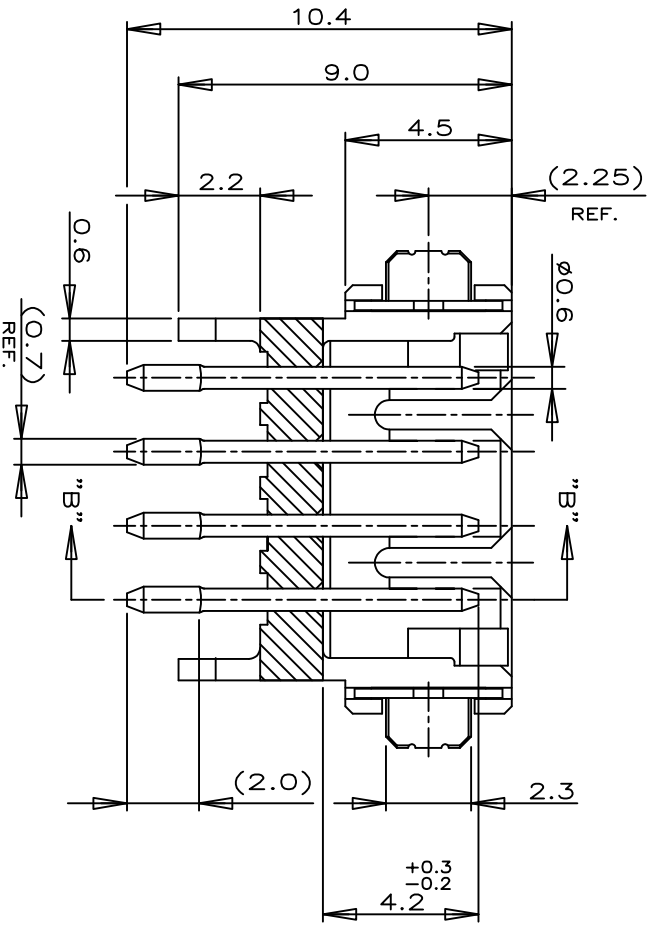
| LOC | DIST | REV | DESCRIPTION |
|-----|------|-----|-------------|
| ES  | 00   | -   | SEE SHEET 1 |



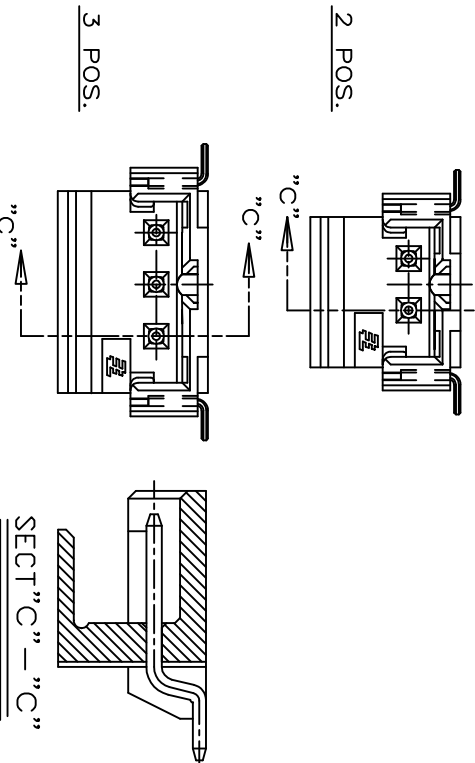
(AS SHOWN :4P)

NOTES:

- 1. MATERIAL : HSG-6T PA(G.F.30%)(UL94V-0)  
COLOR:BLACK,NATURAL  
POST:TIN BRASS  
TAIL: TIN BRASS
- 2. OCCUPANT AREA ON PC BOARD  
TO BE MEASURED WITH CONNECTOR PLACED  
ON HORIZONTAL DATUM SURFACE,FLOAT OF  
SOLDER TINE AND TAIL FROM DATUM  
SURFACE IS 0.1mm MAX
- 3. TO BE MEASURED WITH CONNECTOR PLACED  
ON HORIZONTAL DATUM SURFACE,FLOAT OF  
SOLDER TINE AND TAIL FROM DATUM  
SURFACE IS 0.1mm MAX



SECT "A" - "A"



SECT "C" - "C"

2 POS.

3 POS.

RECOMMENDED P.C.BOARD LAYOUT  
(P.C.B THK:0.8mm MIN)

THIS DRAWING IS A CONTROLLED DOCUMENT.

| DIMENSIONS: | TOLERANCES UNLESS OTHERWISE SPECIFIED: |
|-------------|--|
| MM          |  |
| 0 PLC       | ±                                      |
| 1 PLC       | ±                                      |
| 2 PLC       | ±                                      |
| 3 PLC       | ±                                      |
| 4 PLC       | ±                                      |
| ANGLES      | ±                                      |

| DWN | CHK | APVD | NAME |
|-----|-----|------|------|
| -   | -   | -    | -    |

| PRODUCT SPEC | APPLICATION SPEC |
|--------------|------------------|
| 108-60016    |                  |

| SIZE | CAGE CODE | DRAWING NO | RESTRICTED |
|------|-----------|------------|------------|
| A3   | 00779     | G-292173   | NO         |

**STE** TE Connectivity

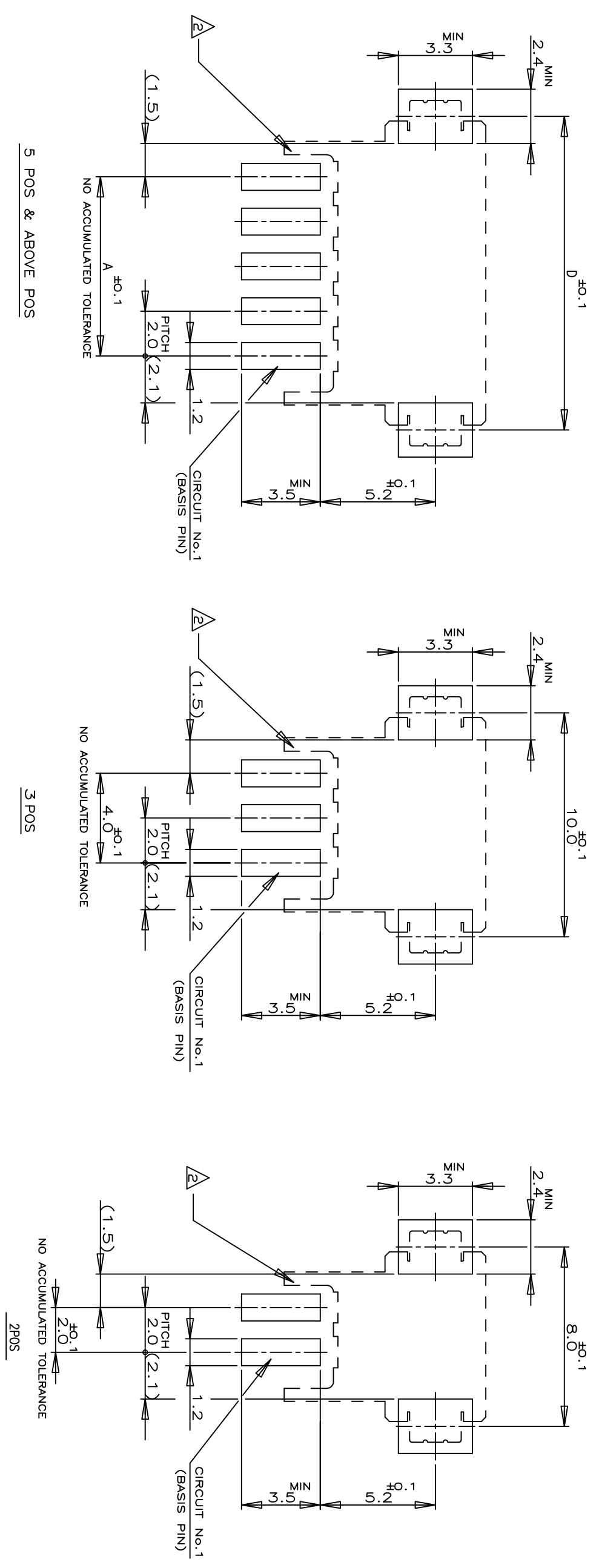
SMT TYPE POST HDR ASS'Y (BOX-H)

W/O BOSS,WITH TAIL TYPE  
(TE CT CONN. 2mm PITCH)

| WEIGHT | CUSTOMER DRAWING | SCALE | SHEET  | REV |
|--------|------------------|-------|--------|-----|
| -      | -                | 5:1   | 5 OF 6 | C3  |

| Loc | DIST | P | LTR | DESCRIPTION | DATE | DWN | APVD |
|-----|------|---|-----|-------------|------|-----|------|
| ES  | 00   | - | -   | SEE SHEET 1 | -    | -   | -    |

LAYOUT FOR 2-292173-X,3-2-292173-X



RECOMMENDED P.C.BOARD LAYOUT  
(P.C.B THK:0.8mm MIN)

THIS DRAWING IS A CONTROLLED DOCUMENT.

|                   |  |                  |  |
|-------------------|--|------------------|--|
| DIMENSIONS:<br>MM | TOLERANCES UNLESS OTHERWISE SPECIFIED: | DMN              | NAME   |
| 0 PLC             | ± -                                    | CHK              | <br>TE Connectivity<br>SMT TYPE POST HDR ASS'Y (H)<br>W/O, WITH TAIL TYPE<br>(TE CT CONN. 2mm PITCH) |
| 1 PLC             | ± -                                    | APVD             |  |
| 2 PLC             | ± -                                    | PRODUCT SPEC     |  |
| 3 PLC             | ± -                                    | APPLICATION SPEC |  |
| 4. P.C.B ANGLES   | ± -                                    | WEIGHT           | SIZE   |
| FINISH            | ± -                                    | CUSTOMER DRAWING | A3   |
|                   |  |                  | CAGE CODE  |
|                   |  |                  | 00779  |
|                   |  |                  | DRAWING NO   |
|                   |  |                  | 292173   |
|                   |  |                  | SCALE  |
|                   |  |                  | 5:1  |
|                   |  |                  | SHEET  |
|                   |  |                  | 6 OF 6   |
|                   |  |                  | REV  |
|                   |  |                  | C3   |